
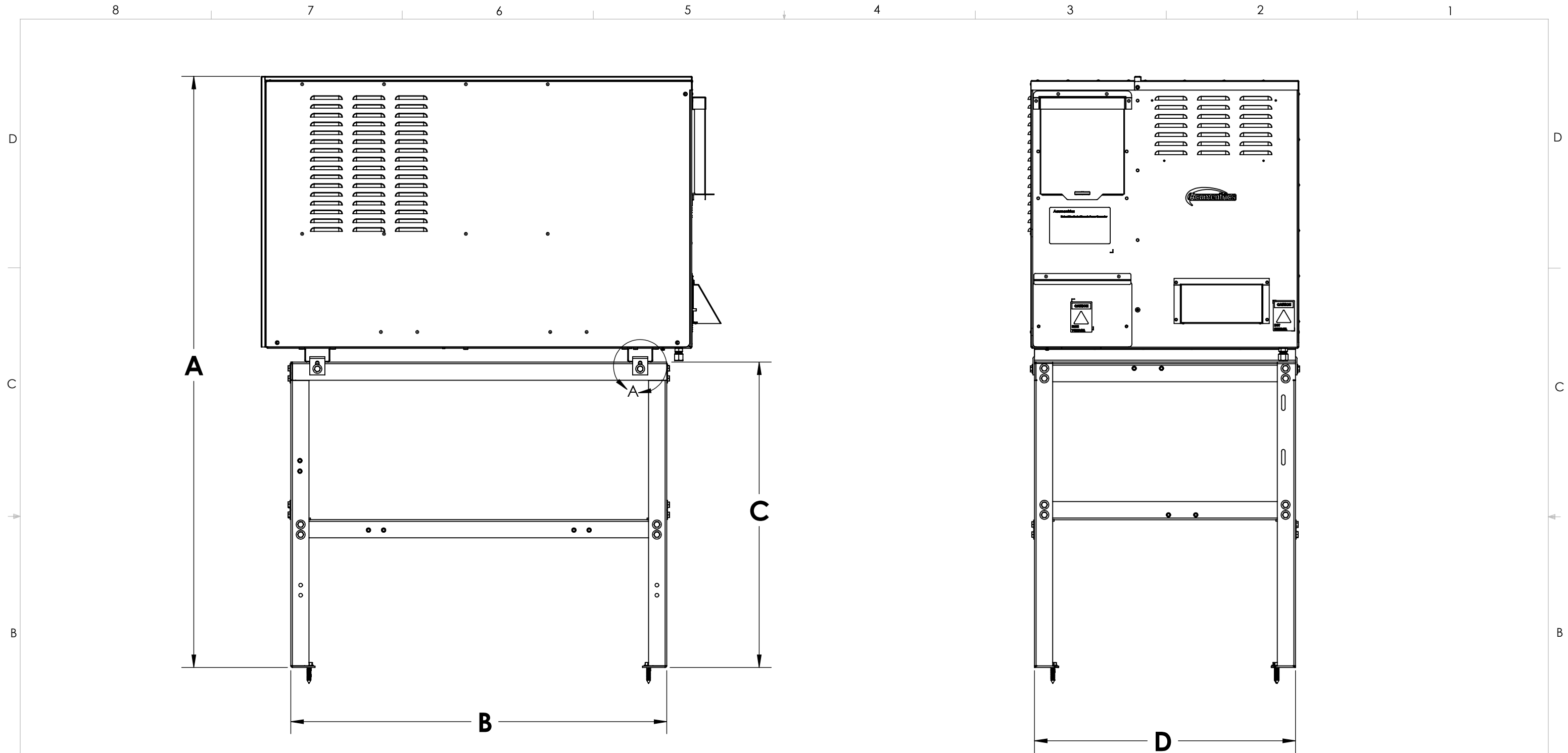


	A	B	C	D	E	F	G	H	I	J	K	L	M
RP250/RP500	13.5	6.8	8.6	23.6	22.4	37.9	35.6	3.6	24.6	21.5	6.0	1.3	22.1
RP1000/RP1500	19.2	12.4	8.6	25.3	24.1	37.9	35.6	3.6	24.6	27.2	9.6	1.9	27.8

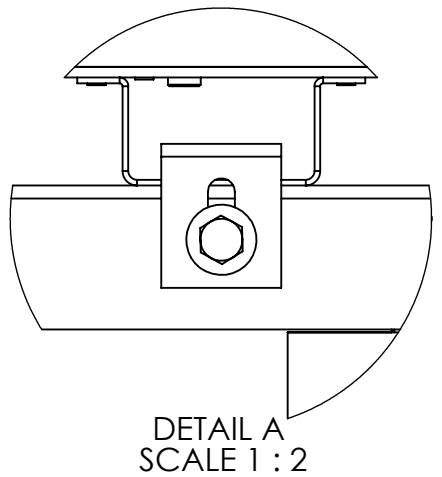
THE DRAWINGS AND SPECIFICATIONS CONTAINED HEREIN ARE THE PROPERTY OF ACUMENTRICS CORPORATION AND SHALL NOT BE USED, REPRODUCED OR DISTRIBUTED, IN WHOLE OR IN PART, WITHOUT THE EXPRESS PRIOR WRITTEN CONSENT OF A DULY AUTHORIZED REPRESENTATIVE OF ACUMENTRICS CORPORATION.

DIMENSIONS ARE IN INCHES UNLESS OTHERWISE SPECIFIED TOLERANCES ARE:	
FRACTIONS	DECIMALS ANGLES
±1/32	.XXX ±.005 ±1/2°
	.XX ±.01
	.X ±.015
SHT MTL: BEND TO FEATURE TOL. ±.015	
APPROVALS	DATE
DRAWN BY: A. VUONG	01/29/16
APPROVED BY: M. BROWN	01/29/16
CAD GENERATED DRAWING, DO NOT MANUALLY UPDATE	THIRD ANGLE PROJECTION

		19 WALPOLE PARK S, WALPOLE, MA 02081	
ASSY	N/A		
PART	RP SERIES DIMENSIONS		
SIZE	B	DWG. NO.	FM324A
SCALE	1:11	DO NOT SCALE DRAWING	REV. E1
		SHEET 1 OF 3	




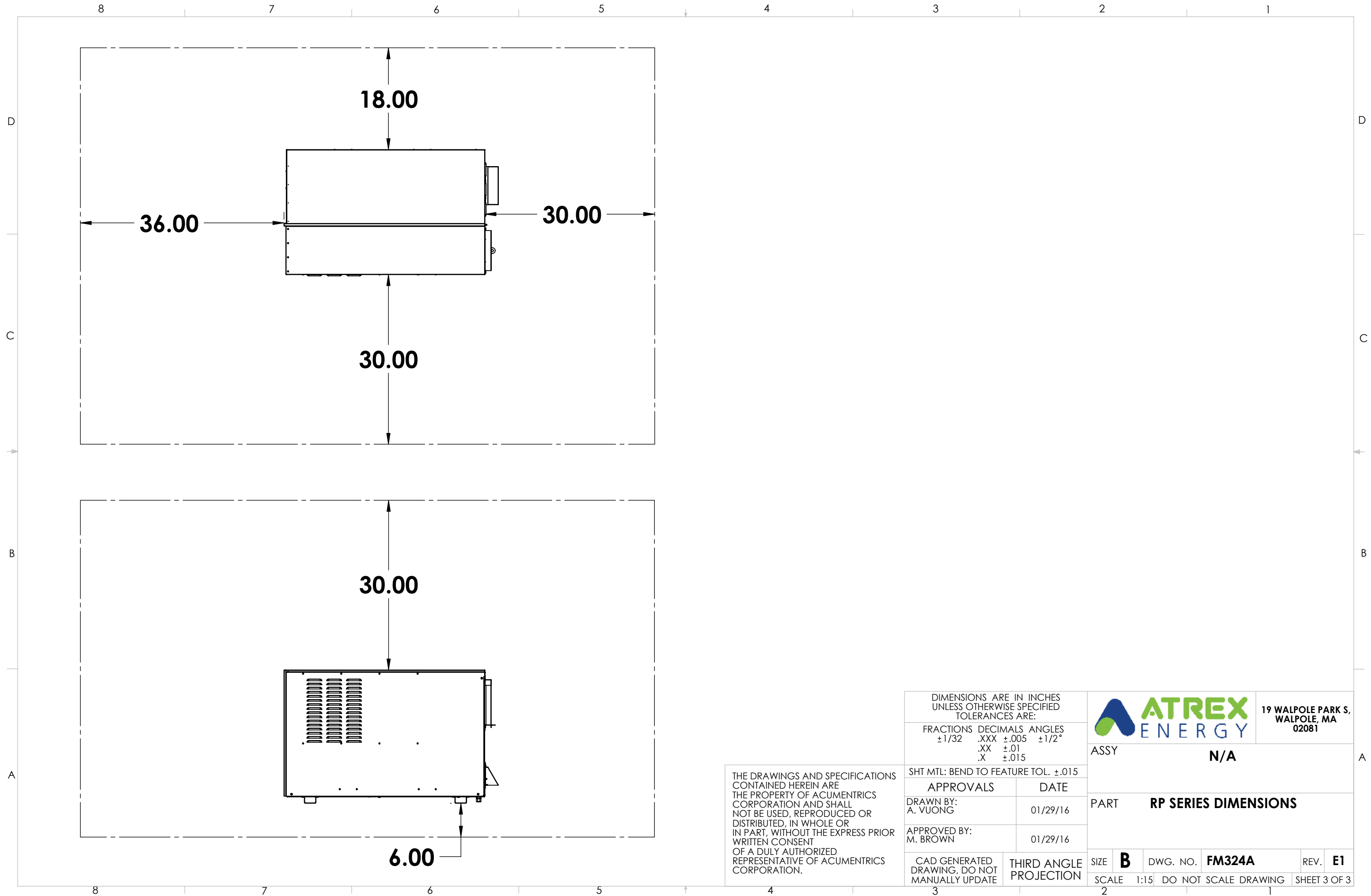
	A	B	C	D
RP250/RP500	48.7	31.0	25.2	21.5
RP1000/RP1500	50.8	31.0	25.2	27.2



THE DRAWINGS AND SPECIFICATIONS CONTAINED HEREIN ARE THE PROPERTY OF ACUMENTRICS CORPORATION AND SHALL NOT BE USED, REPRODUCED OR DISTRIBUTED, IN WHOLE OR IN PART, WITHOUT THE EXPRESS PRIOR WRITTEN CONSENT OF A DULY AUTHORIZED REPRESENTATIVE OF ACUMENTRICS CORPORATION.


DIMENSIONS ARE IN INCHES UNLESS OTHERWISE SPECIFIED TOLERANCES ARE:	
FRACTIONS	DECIMALS ANGLES
±1/32	.XXX ±.005 ±1/2°
	.XX ±.01
	.X ±.015
SHT MTL: BEND TO FEATURE TOL. ±.015	
APPROVALS	DATE
DRAWN BY: A. VUONG	01/29/16
APPROVED BY: M. BROWN	01/29/16
CAD GENERATED DRAWING, DO NOT MANUALLY UPDATE	THIRD ANGLE PROJECTION

		19 WALPOLE PARK S, WALPOLE, MA 02081	
ASSY	N/A		
PART	RP SERIES DIMENSIONS		
SIZE	B	DWG. NO.	FM324A
SCALE	1:8	DO NOT SCALE DRAWING	REV. E1
		SHEET 2 OF 3	



THE DRAWINGS AND SPECIFICATIONS CONTAINED HEREIN ARE THE PROPERTY OF ACUMENTRICS CORPORATION AND SHALL NOT BE USED, REPRODUCED OR DISTRIBUTED, IN WHOLE OR IN PART, WITHOUT THE EXPRESS PRIOR WRITTEN CONSENT OF A DULY AUTHORIZED REPRESENTATIVE OF ACUMENTRICS CORPORATION.

DIMENSIONS ARE IN INCHES UNLESS OTHERWISE SPECIFIED TOLERANCES ARE:	
FRACTIONS ±1/32	DECIMALS .XXX ±.005 .XX ±.01 .X ±.015
ANGLES ±1/2°	
SHT MTL: BEND TO FEATURE TOL. ±.015	
APPROVALS	DATE
DRAWN BY: A. VUONG	01/29/16
APPROVED BY: M. BROWN	01/29/16
CAD GENERATED DRAWING, DO NOT MANUALLY UPDATE	THIRD ANGLE PROJECTION

		19 WALPOLE PARK S, WALPOLE, MA 02081	
ASSY	N/A		
PART	RP SERIES DIMENSIONS		
SIZE	B	DWG. NO.	FM324A
SCALE	1:15	DO NOT SCALE DRAWING	REV. E1
		SHEET 3 OF 3	